

# TECHNICAL & SERVICE MANUAL

## Series PLFY Ceiling Cassettes

R410A / R407C / R22

Indoor unit  
[Model names]

PLFY-P20VCM-E

PLFY-P25VCM-E

PLFY-P32VCM-E

PLFY-P40VCM-E

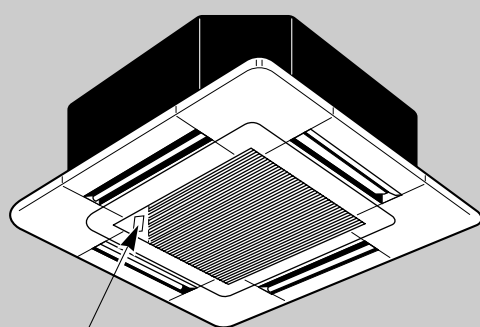
[Service Ref.]

**PLFY-P20VCM-E.TH**

**PLFY-P25VCM-E.TH**

**PLFY-P32VCM-E.TH**

**PLFY-P40VCM-E.TH**



Model name  
indication

INDOOR UNIT

## CONTENTS

1. SAFETY PRECAUTION.....	2
2. PART NAMES AND FUNCTIONS .....	6
3. SPECIFICATIONS.....	8
4. 4-WAY AIR FLOW SYSTEM.....	10
5. OUTLINES AND DIMENSIONS.....	12
6. WIRING DIAGRAM.....	13
7. REFRIGERANT SYSTEM DIAGRAM .....	14
8. DISASSEMBLY PROCEDURE .....	15
9. TROUBLE SHOOTING.....	18
10. PARTS LIST.....	25

## CAUTIONS RELATED TO NEW REFRIGERANT

## Cautions for units utilizing refrigerant R407C

**Do not use the existing refrigerant piping.**

The old refrigerant and lubricant in the existing piping contains a large amount of chlorine which may cause the lubricant deterioration of the new unit.

**Use "low residual oil piping"**

If there is a large amount of residual oil (hydraulic oil, etc.) inside the piping and joints, deterioration of the lubricant will result.

**Store the piping to be used during installation indoors with keep both ends sealed until just before brazing.  
(Store elbows and other joints in a plastic bag.)**

If dust, dirt, or water enters the refrigerant cycle, deterioration of the oil and compressor trouble may result.

**Use ESTR , ETHER or HAB as the lubricant to coat flares and flange connection parts.**

If large amount of mineral oil enter, that can cause deterioration of refrigerant oil etc.

**Use liquid refrigerant to charge the system.**

If gas refrigerant is used to seal the system, the composition of the refrigerant in the cylinder will change and performance may drop.

**Do not use a refrigerant other than R407C.**

If another refrigerant (R22, etc.) is used, the chlorine in the refrigerant may cause the lubricant deterioration.

**Use a vacuum pump with a reverse flow check valve.**

The vacuum pump oil may flow back into the refrigerant cycle and cause the lubricant deterioration.

**Ventilate the room if refrigerant leaks during operation. If refrigerant comes into contact with a flame, poisonous gases will be released.****[1] Cautions for service**

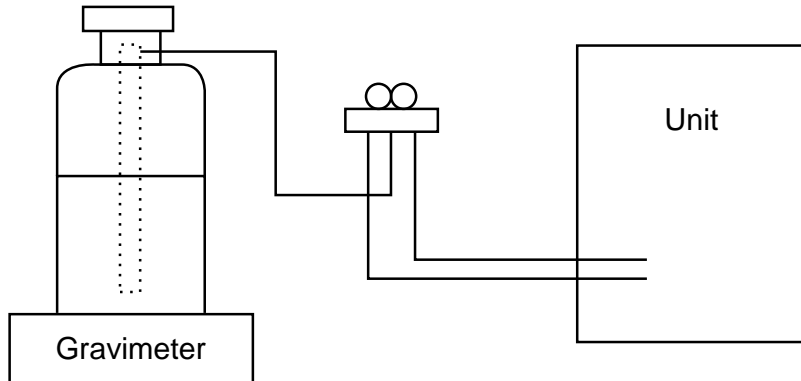
- After recovering the all refrigerant in the unit, proceed to working.
- Do not release refrigerant in the air.
- After completing the repair service, recharge the cycle with the specified amount of liquid refrigerant.

## [2] Refrigerant recharging

### (1) Refrigerant recharging process

#### ① Direct charging from the cylinder.

- R407C cylinder are available on the market has a syphon pipe.
- Leave the syphon pipe cylinder standing and recharge it.  
(By liquid refrigerant)



### (2) Recharge in refrigerant leakage case

- After recovering the all refrigerant in the unit, proceed to working.
- Do not release the refrigerant in the air.
- After completing the repair service, recharge the cycle with the specified amount of liquid refrigerant.

## [3] Service tools

Use the below service tools as exclusive tools for R407C refrigerant.

No.	Tool name	Specifications
①	Gauge manifold	·Only for R407C.
		·Use the existing fitting SPECIFICATIONS. (UNF7/16)
		·Use high-tension side pressure of 3.43MPa·G or over.
②	Charge hose	·Only for R407C.
		·Use pressure performance of 5.10MPa·G or over.
③	Electronic scale	
④	Gas leak detector	·Use the detector for R134a or R407C.
⑤	Adapter for reverse flow check.	·Attach on vacuum pump.
⑥	Refrigerant charge base.	
⑦	Refrigerant cylinder.	·For R407C    ·Top of cylinder (Brown)
		·Cylinder with syphon
⑧	Refrigerant recovery equipment.	

**Cautions for units utilizing refrigerant R410A**

**Do not use the existing refrigerant piping.**

The old refrigerant and lubricant in the existing piping contains a large amount of chlorine which may cause the lubricant deterioration of the new unit.

**Use “low residual oil piping”**

If there is a large amount of residual oil (hydraulic oil, etc.) inside the piping and joints, deterioration of the lubricant will result.

**Store the piping to be used during installation indoors and keep both ends of the piping sealed until just before brazing. (Leave elbow joints, etc. in their packaging.)**

If dirt, dust or moisture enter into refrigerant cycle, that can cause deterioration of refrigerant oil or malfunction of compressor.

**Use ester oil, ether oil or alkylbenzene oil (small amount) as the refrigerant oil applied to flares and flange connections.**

If large amount of mineral oil enter, that can cause deterioration of refrigerant oil etc.

**Charge refrigerant from liquid phase of gas cylinder.**

If the refrigerant is charged from gas phase, composition change may occur in refrigerant and the efficiency will be lowered.

**Do not use refrigerant other than R410A.**

If other refrigerant (R22 etc.) is used, chlorine in refrigerant can cause deterioration of refrigerant oil etc.

**Use a vacuum pump with a reverse flow check valve.**

Vacuum pump oil may flow back into refrigerant cycle and that can cause deterioration of refrigerant oil etc.

**Use the following tools specifically designed for use with R410A refrigerant.**

The following tools are necessary to use R410A refrigerant.

Tools for R410A	
Gauge manifold	Flare tool
Charge hose	Size adjustment gauge
Gas leak detector	Vacuum pump adaptor
Torque wrench	Electronic refrigerant charging scale

**Keep the tools with care.**

If dirt, dust or moisture enter into refrigerant cycle, that can cause deterioration of refrigerant oil or malfunction of compressor.

**Do not use a charging cylinder.**

If a charging cylinder is used, the composition of refrigerant will change and the efficiency will be lowered.

**Ventilate the room if refrigerant leaks during operation. If refrigerant comes into contact with a flame, poisonous gases will be released.**

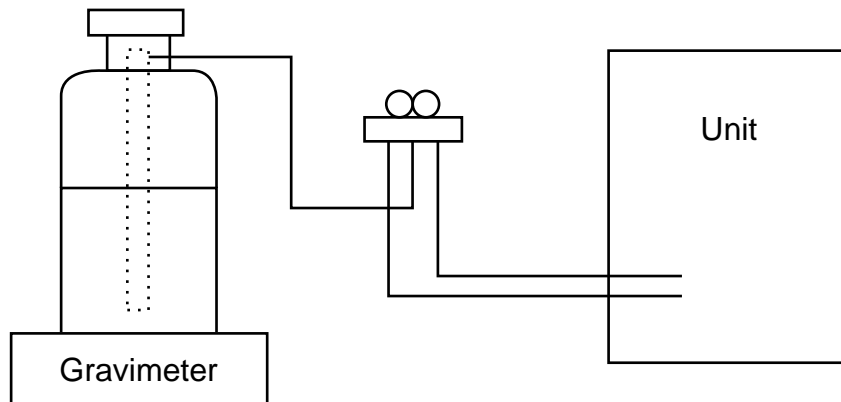
### [1] Cautions for service

- (1) Perform service after collecting the refrigerant left in unit completely.
- (2) Do not release refrigerant in the air.
- (3) After completing service, charge the cycle with specified amount of refrigerant.
- (4) When performing service, install a filter drier simultaneously.  
Be sure to use a filter drier for new refrigerant.

### [2] Additional refrigerant charge

#### When charging directly from cylinder

- Check that cylinder for R410A on the market is syphon type.
- Charging should be performed with the cylinder of syphon stood vertically. (Refrigerant is charged from liquid phase.)



### [3] Service tools

Use the below service tools as exclusive tools for R410A refrigerant.

No.		Specifications
①	Gauge manifold	·Only for R410A
		·Use the existing fitting specifications. (UNF1/2)
		·Use high-tension side pressure of 5.3MPa·G or over.
②	Charge hose	·Only for R410A
		·Use pressure performance of 5.09MPa·G or over.
③	Electronic scale	—
④	Gas leak detector	·Use the detector for R134a, R407C or R410A.
⑤	Adaptor for reverse flow check	·Attach on vacuum pump.
⑥	Refrigerant charge base	—
⑦	Refrigerant cylinder	·Only for R410A    Top of cylinder (Pink)
		Cylinder with syphon
⑧	Refrigerant recovery equipment	—

## 2

# PART NAMES AND FUNCTIONS

### ● Indoor Unit

#### Horizontal Air Outlet

Sets airflow horizontal automatically during cooling or dehumidifying.

#### Filter

Remove dust and pollutants from inhaled air

#### Grille

#### Auto Air Swing Vane

Disperses airflow up and down and adjusts the angle of airflow direction.

#### Air Intake

Inhales air from room.

### ● Remote controller

#### [PAR-20MAA]

● Once the controls are set, the same operation mode can be repeated by simply pressing the ON/OFF button.

### ● Operation buttons

#### TEMP. ADJUSTMENT button

This sets the room temperature. The temperature setting can be performed in 1°C units

##### Setting range

Cooler 19°C to 30°C  
Heater 17°C to 28°C

#### TIME SETTING button

This sets the current time, start time and stop time.

#### AIR SPEED button

This sets the ventilation fan speed.

#### TIMER button

This switches between continuous operation and the timer operation.

#### ON/OFF button

This switches between the operation and stop modes each time it is pressed. The lamp on this button lights during operation.

#### OPERATION SWITCH button

Press this button to switch between cool, dry, automatic and heat modes.

#### AIR DIRECTION button

This adjusts the vertical angle of the ventilation.

#### LOUVER button

This switch the horizontal fan motion ON and OFF.

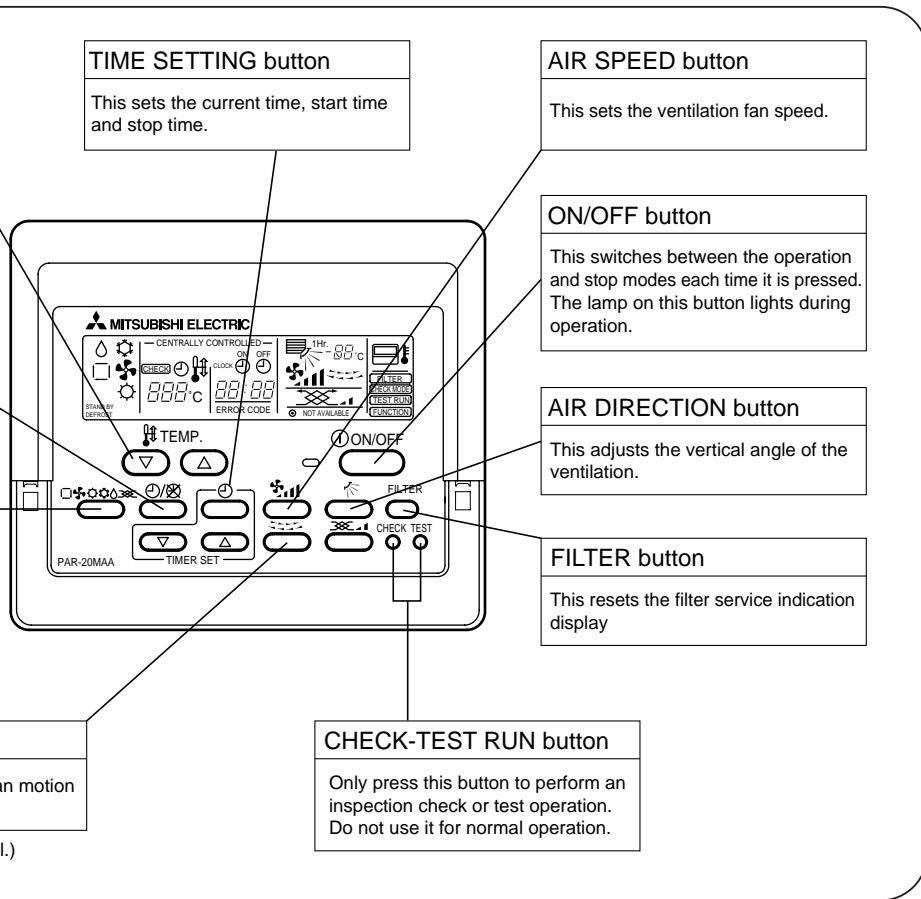
(Not available for this model.)

#### CHECK-TEST RUN button

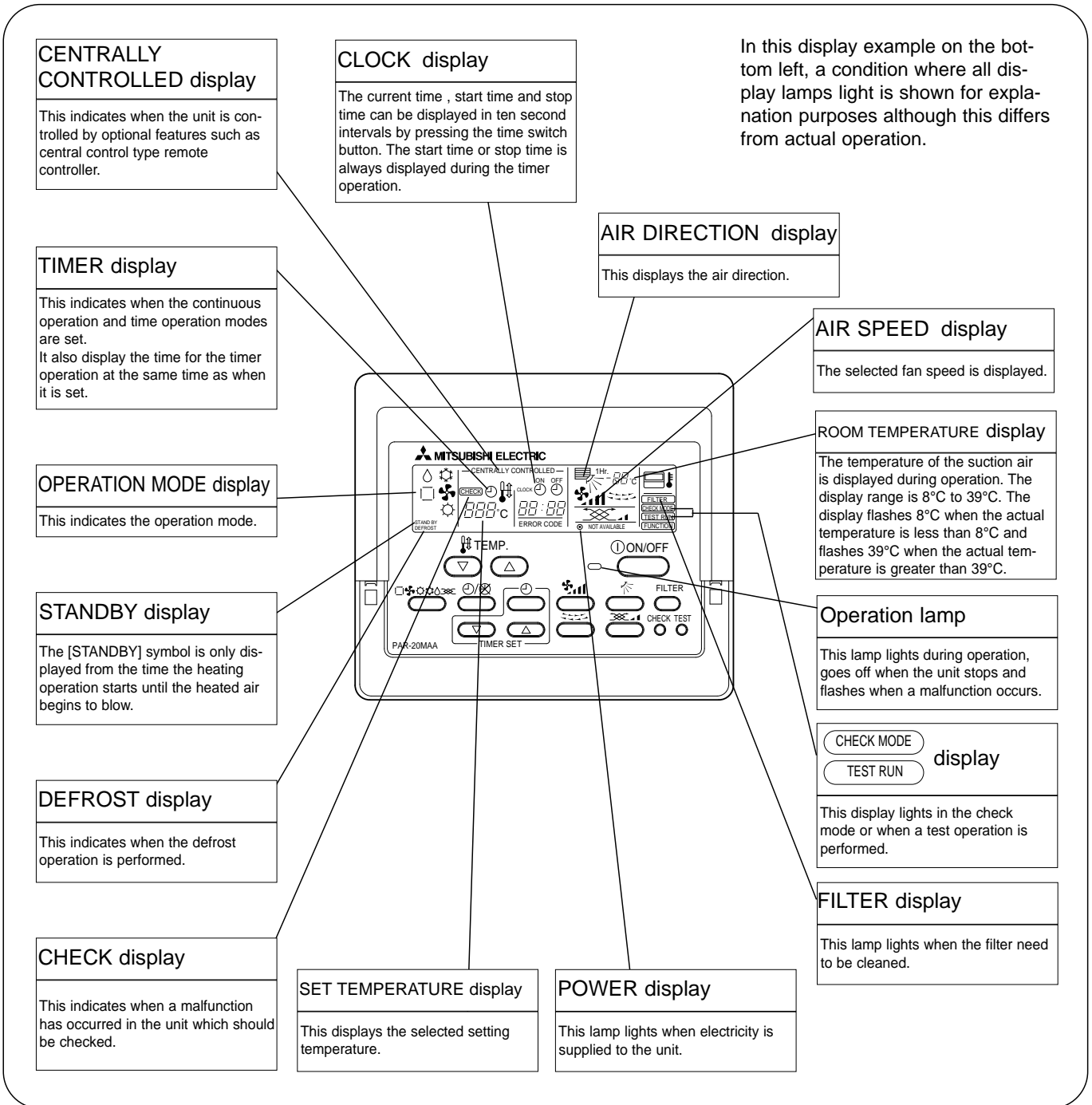
Only press this button to perform an inspection check or test operation. Do not use it for normal operation.

#### FILTER button

This resets the filter service indication display



## ● Display



### Caution

- Only the Power display lights when the unit is stopped and power supplied to the unit.
- "NOT AVAILABLE" is displayed when the Air speed button is pressed. This indicates that this room unit is not equipped with the fan direction adjustment function and the louver function.
- When power is turned ON for the first time, it is normal that "H0" is displayed on the room temperature indication (For max. 2minutes). Please wait until this "H0" indication disappear then start the operation.

## 3-1. Specifications

Item		PLFY-P20VCM-E.TH	PLFY-P25VCM-E.TH	PLFY-P32VCM-E.TH	PLFY-P40VCM-E.TH
Power	V·Hz	Single phase 220-230-240V 50Hz			
Cooling capacity	kW	2.2	2.8	3.6	4.5
Heating capacity	kW	2.5	3.2	4.0	5.0
Electric characteristic	Input	Cooling	0.05		0.06
		Heating	0.05		0.06
	Current	Cooling	0.23		0.28
		Heating	0.23		0.28
Exterior (munsell symbol)	—	Unit : Galvanized sheets with gray heat insulation Grills : ABS resin Munsell<0.70Y 8.59/0.97>			
Dimensions	Height	208 <20>			
	Width	570<650>			
	Depth	570<650>			
Heat exchanger	—	Cross fin			
Fan	Fan X No	Turbo fan X 1			
	Air flow ※3	10-9-8		11-10-9	
	External static pressure	0			
	Fan motor output	0.011	0.015	0.020	
Insulator	—	Polyethylene sheet			
Air filter	—	PP honey comb fabric			
Pipe dimensions	Gas side	φ12.7(1/2")			
	Liquid side	φ6.35(1/4")			
Unit drain pipe size	φmm	O.D.32 (PVC pipe VP-25 connectable)			
Noise level ※3	dB	35-31-28	37-31-29	38-33-29	39-34-30
Product weight	kg	15.5<3>		17<3>	

- Note 1. Rating conditions(JIS B 8616)  
Cooling : Indoor : D.B. 27°C W.B. 19.0°C  
          outdoor : D.B. 35°C  
Heating : Indoor : D.B. 20°C  
          outdoor : D.B. 7°C W.B. 6°C

Note 2. The number indicated in < > is just for the grille.

- ※ 3. Air flow and the noise level are indicated as High-Medium-Low.



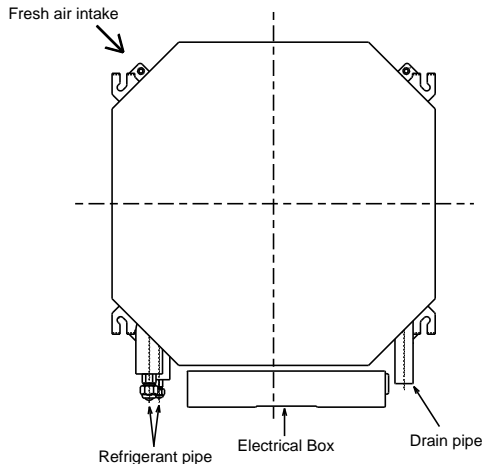
### 3-2. Electrical parts specifications

Model	Symbol	PLFY-P20VCM-E.TH	PLFY-P25VCM-E.TH	PLFY-P32VCM-E.TH	PLFY-P40VCM-E.TH
Parts name					
Thermistor (Room temperature detection)	TH21	Resistance 0°C/15kΩ, 10°C/9.6kΩ, 20°C/6.3kΩ, 25°C/5.4kΩ, 30°C/4.3kΩ, 40°C/3.0kΩ			
Thermistor (Pipe temperature detection/ Liquid)	TH22	Resistance 0°C/15kΩ, 10°C/9.6kΩ, 20°C/6.3kΩ, 25°C/5.4kΩ, 30°C/4.3kΩ, 40°C/3.0kΩ			
Thermistor (Pipe temperature detection/ Gas)	TH23	Resistance 0°C/15kΩ, 10°C/9.6kΩ, 20°C/6.3kΩ, 25°C/5.4kΩ, 30°C/4.3kΩ, 40°C/3.0kΩ			
Fuse (Indoor controller board)	FUSE	250V 6.3A			
Fan motor (with Thermal fuse)	MF	6-pole OUTPUT 11W PK6V11-LE	6-pole OUTPUT 15W PK6V15-LC	6-pole OUTPUT 20W PK6V20-LJ	6-pole OUTPUT 20W PK6V20-LK
		Thermal fuse OFF 145°C ± 2°C			
Fan motor capacitor	C	1.0μF × 440V	1.5μF × 440V		
Vane motor	MV	MSBPC20M13 DC12V 300Ω/phase			
Drain pump	DP	PLD-12230ME-1 INPUT 12/10.8W 24 ℓ /Hr			
Drain sensor	DS	Thermistor resistance 0°C/6kΩ, 10°C/3.9kΩ, 20°C/2.6kΩ, 25°C/2.2kΩ, 30°C/1.8kΩ, 40°C/1.3kΩ			
Linear expansion valve [coil]	LEV	DC12V Stepping motor drive port dimension 5.2Ω (0~2000pulse) EDM-40YGME			
Electric heater (Condensation proof)	H2	240V 15W			
Power supply terminal block	TB2	(L, N, ⊕) Rated to 330V 30A *			
Transmission terminal block	TB5	(M1, M2, S) Rated to 250V 20A *			
MA remote controller terminal block	TB15	(1, 2) Rated to 250V 10A *			

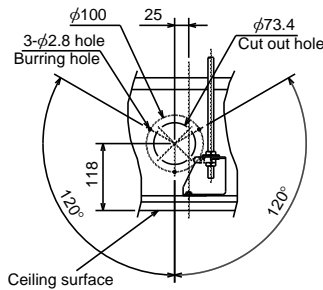
\* Note: Refer to WIRING DIAGRAM for the supplied voltage.

### 4-1. Fresh air intake (Location for installation)

At the time of installation, use the duct holes (cut out) located at the positions shown in following diagram, as and when required.



Detail drawing of fresh air intake



### 4-2. Fresh air intake amount & static pressure characteristics

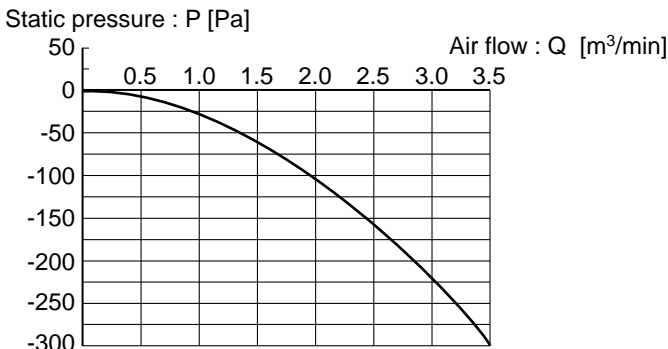
PLFY-P20VCM-E.TH

PLFY-P25VCM-E.TH

PLFY-P32VCM-E.TH

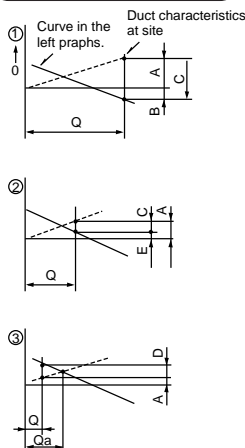
PLFY-P40VCM-E.TH

#### Taking air into the unit



**NOTE:** Fresh air intake amount should be 20% or less of whole air amount to prevent dew dripping.

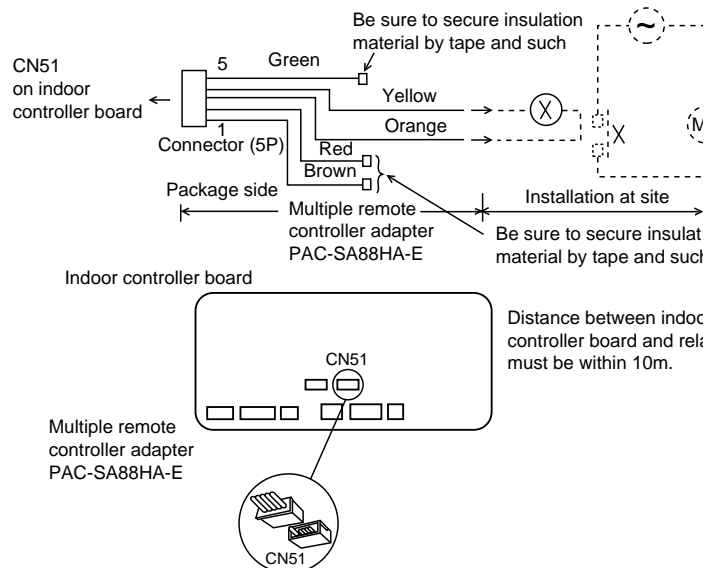
#### How to read curves



- Q...Planned amount of fresh air intake <m<sup>3</sup>/min>
- A...Static pressure loss of fresh air intake duct system with air flow amount Q <Pa>
- B...Forced static pressure at air conditioner inlet with air flow amount Q <Pa>
- C...Static pressure of booster fan with air flow amount Q <Pa>
- D...Static pressure loss increase amount of fresh air intake duct system for air flow amount Q <Pa>
- E...Static pressure of indoor unit with air flow amount Q <Pa>
- Qa...Estimated amount of fresh air intake with out D <m<sup>3</sup>/min>

### 4-3. Interlocking operation method with duct fan (Booster fan)

- Whenever the indoor unit is operating, the duct fan also operates.
  - (1) Connect the optional multiple remote controller adapter (PAC-SA88HA-E) to the connector CN51 on the indoor controller board.
  - (2) Drive the relay after connecting the 12V DC relay between the Yellow and Orange connector lines.
- MB: Electromagnetic switch power relay for duct fan.  
X: Auxiliary relay (For DC 12V, coil rating : 1.0W or below)

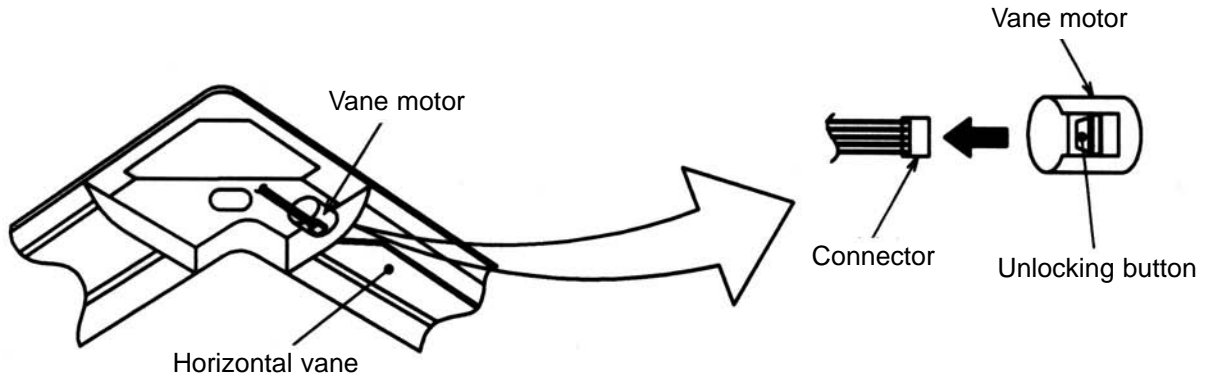


## 4-4. Fixing of horizontal vane

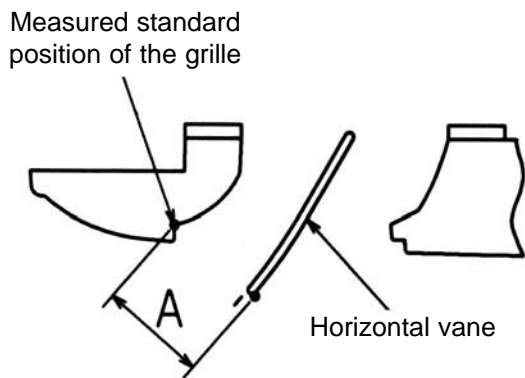
Horizontal vane of each air outlet can be fixed according to the environment, which is installed.

### Setting procedure

- 1) Turn off a main power supply (Turn off a breaker).
- 2) Disconnect the vane motor connector of the direction of the arrow with pressing the unlocking button as shown in figure below.  
Electricity insulate the disconnected connector with the vinyl tape.




- 3) Set a vertical vane of the air outlet, which tries to be fixed by the hand slowly within the range in the table below.



### <Set range>

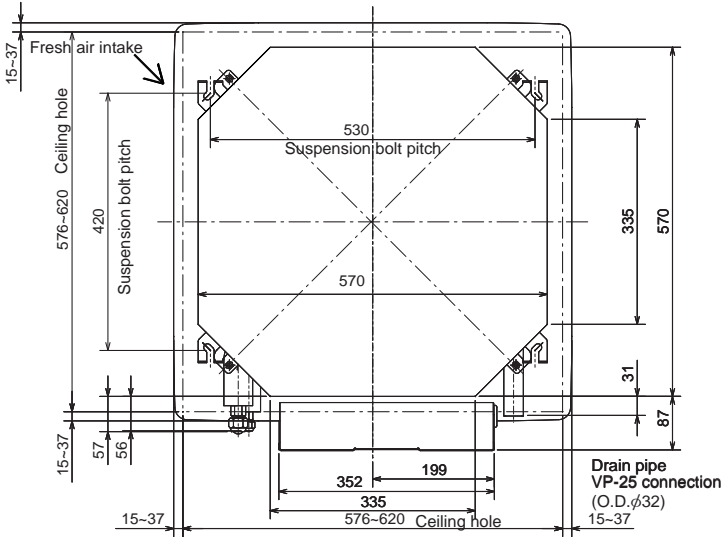
Standard of horizontal position	Level 30° (Min.)	Downward 45°	Downward 55°	Downward 70° (Max.)
Dimension A (mm)	21	25	28	30

\* Dimension between 21 mm and 30 mm can be arbitrarily set.

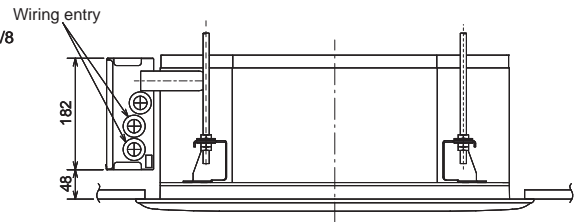
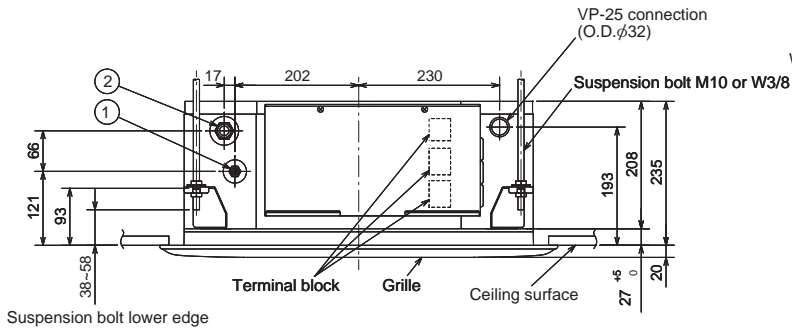
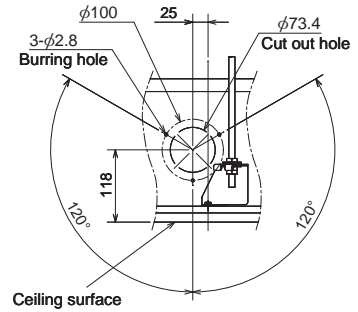
<b>Caution</b> 	Do not set the dimension out of the range.
	Erroneous setting could cause dew drips, smudge on ceiling or malfunction of unit.

Unit : mm

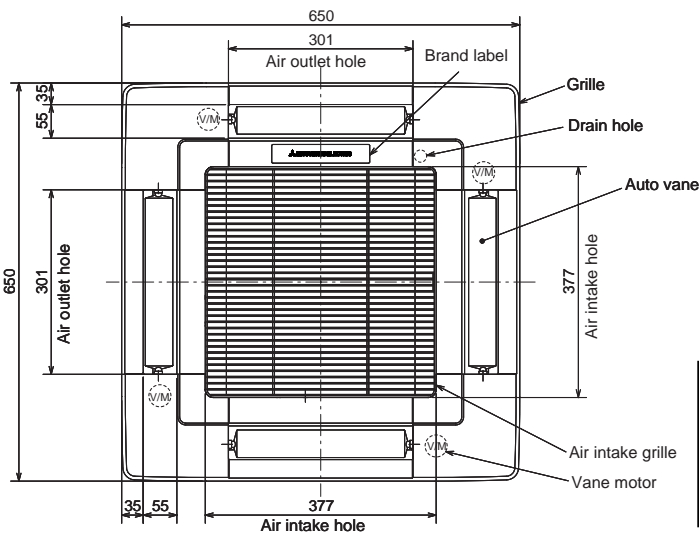
PLFY-P20VCM-E.TH  
 PLY-P25VCM-E.TH  
 PLY-P32VCM-E.TH  
 PLY-P40VCM-E.TH



Detail drawing of fresh air intake



Suspension bolt lower edge

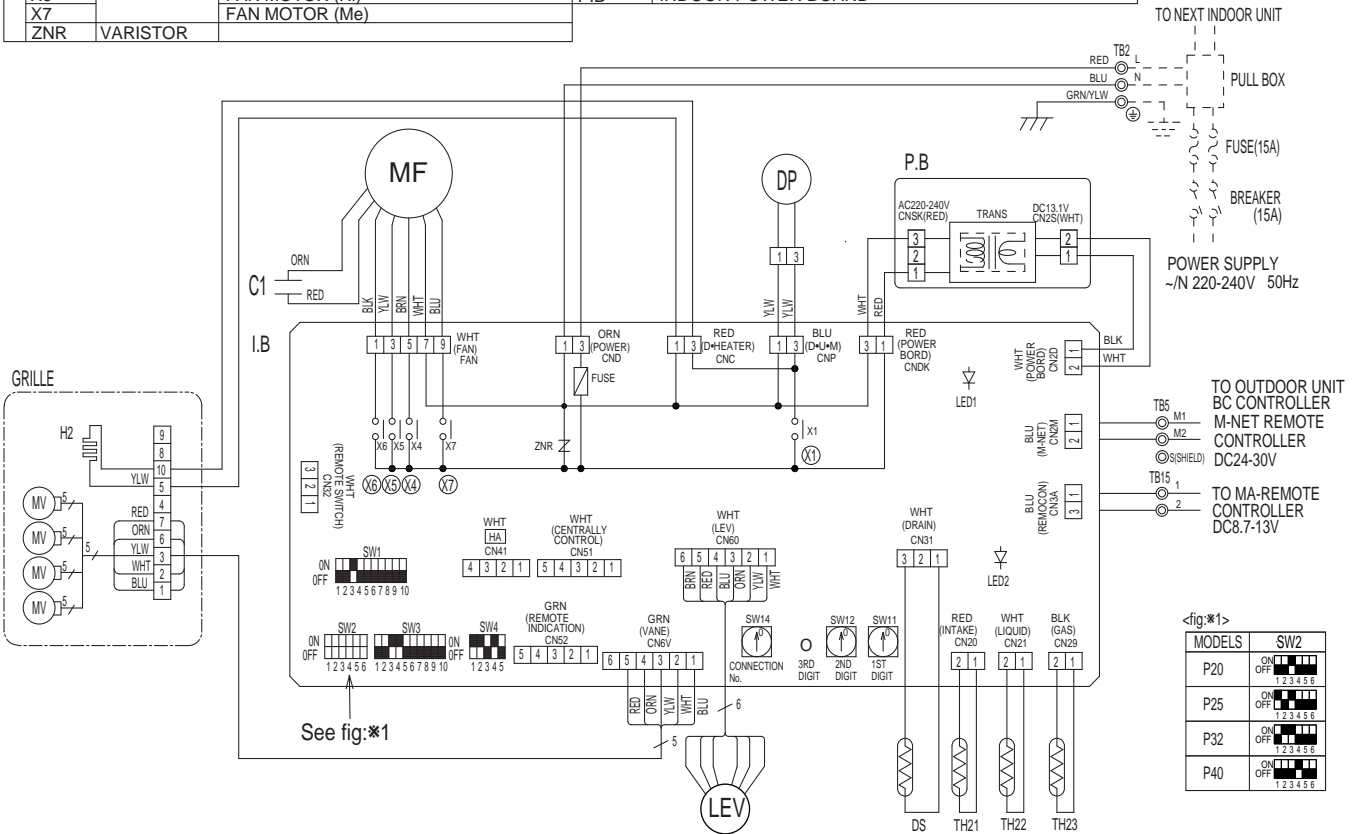


Models	①	②
PLFY-P20VCM-E	Refrigerant pipe (6.35mm dia.)	Refrigerant pipe (12.7mm dia.)
PLFY-P25VCM-E	flared connection	flared connection
PLFY-P32VCM-E		
PLFY-P40VCM-E	1/4F	1/2F

PLFY-P20VCM-E.TH  
 PLYF-P25VCM-E.TH  
 PLYF-P32VCM-E.TH  
 PLYF-P40VCM-E.TH

[LEGEND]

SYMBOL	NAME	SYMBOL	NAME
I.B	INDOOR CONTROLLER BOARD	C1	CAPACITOR (FAN MOTOR)
CN32	CONNECTOR	DP	DRAIN PUMP
CN41	REMOTE SWITCH	DS	DRAIN SENSOR
CN51	HA TERMINAL-A	H2	DEW PREVENTION HEATER
CN52	CENTRALLY CONTROL	LEV	LINEAR EXPANSION VALVE
FUSE	FUSE (6.3A/250V)	MF	FAN MOTOR (WITH THERMAL FUSE)
SW1	SWITCH	MV	VANE MOTOR
SW2	MODE SELECTION	TB2	TERMINAL BLOCK
SW3	CAPACITY CODE	TB5	TERMINAL BLOCK
SW4	MODE SELECTION	TB15	TERMINAL BLOCK
SW11	MODE SELECTION	TH21	THERMISTOR
SW12	ADDRESS SETTING 1ST DIGIT	TH22	THERMISTOR
SW14	ADDRESS SETTING 2ND DIGIT	TH23	THERMISTOR
X1	AUX. RELAY	P.B	INDOOR POWER BOARD
X4	DRAIN PUMP/DEW PREVENTION HEATER		
X5	FAN MOTOR (LL)		
X6	FAN MOTOR (Lo)		
X7	FAN MOTOR (Hi)		
ZNR	FAN MOTOR (Me)		



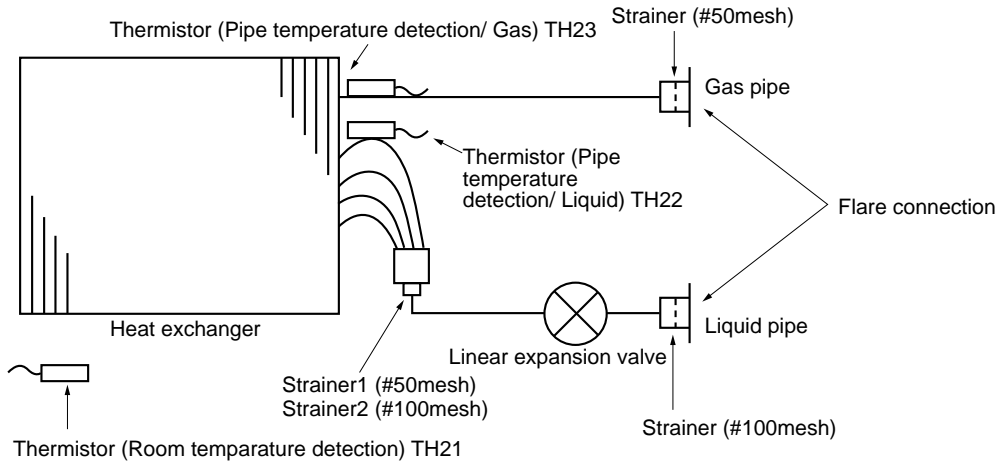
LED on indoor controller board for service

Mark	Meaning	Function
LED1	Main power supply	Main power supply(Indoor unit:220-240V) power on → lamp is lit
LED2	Power supply for MA-Remote controller	Power supply for MA-Remote controller on → lamp is lit

Notes:

1. At servicing for outdoor unit, always follow the wiring diagram of outdoor unit.
2. In case of using MA-Remote controller, please connect to TB15. (Remote controller wire is non-polar.)
3. In case of using M-NET, please connect to TB5. (Transmission line is non-polar.)
4. Symbol[S] of TB5 is the shield wire connection.
5. Symbols used in wiring diagram above are, @:terminal block, □:connector.
6. The setting of the SW2 dip switches differs in the capacity for the detail, refer to the fig:※1.

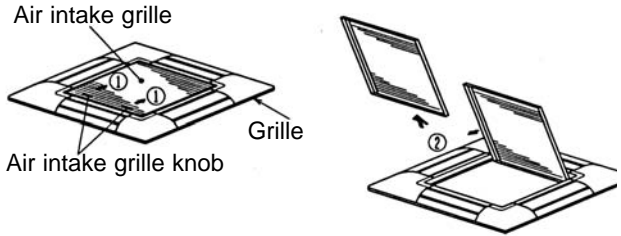
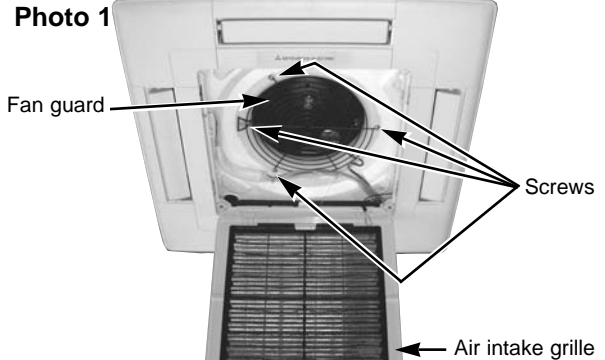
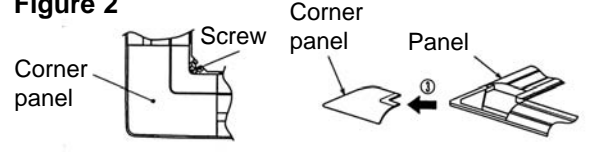
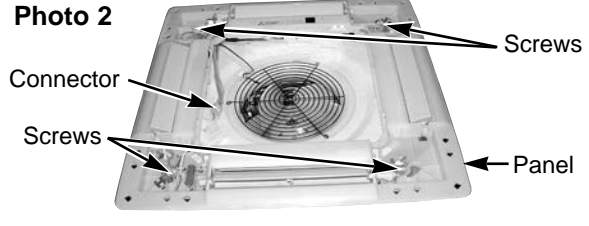
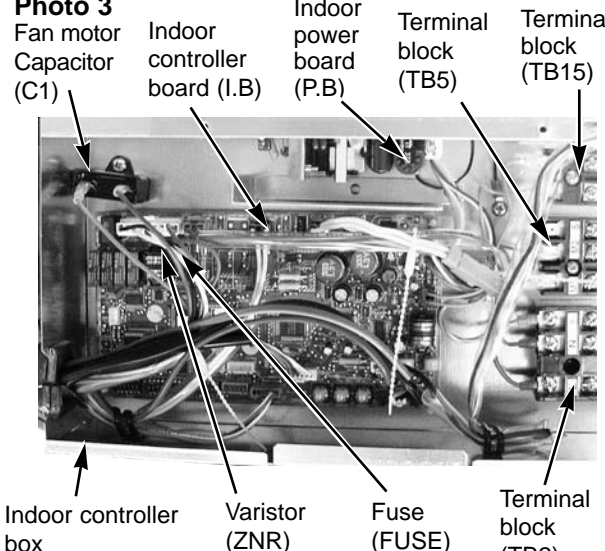
PLFY-P20VCM-E.TH  
 PLY-P25VCM-E.TH  
 PLY-P32VCM-E.TH  
 PLY-P40VCM-E.TH



Gas pipe	$\phi 12.7(1/2")$
Liquid pipe	$\phi 6.35(1/4")$

PLFY-P20-P25-P32-P40VCM-E.TH

Be careful on removing heavy parts.

OPERATING PROCEDURE	PHOTOS&ILLUSTRATIONS
<p><b>1. Removing the air intake grille</b></p> <p>(1) Slide the knob of air intake grille to the direction of the arrow ① to open the air intake grille.</p> <p>(2) Remove the hook for secure belt on air inlet grille from the panel.</p> <p>(3) Slide the shaft in the hinge to the direction of the arrow ② and remove the air intake grille.</p>	<p><b>Figure 1</b></p>  <p>Air intake grille Air intake grille knob Grille</p>
<p><b>2. Removing the fan guard</b></p> <p>(1) Open the air intake grille.</p> <p>(2) Remove the 3 screws of fan guard.</p>	<p><b>Photo 1</b></p>  <p>Fan guard Screws Air intake grille</p>
<p><b>3. Removing the panel</b></p> <p>(1) Remove the air intake grille. (Refer to 1)</p> <p><b>Corner panel (See figure 2)</b></p> <p>(1) Remove the screw of the corner.</p> <p>(2) Slide the corner panel to the direction of the arrow ③, and remove the corner panel.</p> <p><b>Panel (See photo 2)</b></p> <p>(1) Disconnect the connector that connects with the unit.</p> <p>(2) Remove the 2 screws from the panel and loose another 2 screws, which fixed to the oval hole, have different diameter.</p> <p>(3) Rotate the panel a little to remove the screws. (Slide the panel so that the screw comes to a large diameter of the oval hole, which has two different diameters.)</p>	<p><b>Figure 2</b></p>  <p>Corner panel Screw Panel Corner panel</p> <p><b>Photo 2</b></p>  <p>Connector Screws Panel</p>
<p><b>4. Removing the electrical parts</b></p> <p>(1) Remove the 2 screws and the control box cover.</p> <p>&lt;Electrical parts in the control box&gt;</p> <ul style="list-style-type: none"> <li>• Indoor controller board (I.B)</li> <li>• Indoor power board (P.B)</li> <li>• Fan motor capacitor (C1)</li> <li>• Fuse (FUSE)</li> <li>• Varistor (ZNR)</li> <li>• Terminal block (TB)</li> </ul>	<p><b>Photo 3</b></p>  <p>Fan motor Capacitor (C1) Indoor controller board (I.B) Indoor power board (P.B) Terminal block (TB5) Terminal block (TB15) Indoor controller box Varistor (ZNR) Fuse (FUSE) Terminal block (TB2)</p>

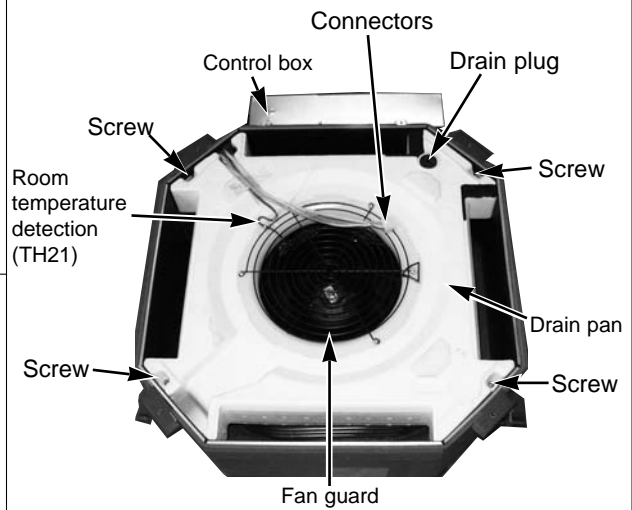
## OPERATING PROCEDURE

## PHOTOS&ILLUSTRATIONS

### 5. Remove the room temperature detection (TH21)

- (1) Remove the panel. (Refer to 3)
- (2) Pull out the room temperature detection from the drain pan.
- (3) Remove the 2 screws fixed to the control box cover, and remove the control box cover.
- (4) Remove the connector (CN20) from the indoor controller board, and disconnect the room temperature detection.

Photo 4



### 6. Remove the drain pan

- (1) Remove the panel. (Refer to 3)
- (2) Remove the room temperature detection and the 2 lead wires held with fastener; wireless controller board relay connector (9P red) and panel relay connector (10P white).
- (3) Remove the 4 screws fixed to the drain pan, and remove the drain pan.
- (4) Remove the fan guard. (Refer to 2)

### 7. Removing the pipe temperature detection/liquid (TH22) and pipe temperature detection/gas (TH23)

- (1) Remove the panel. (Refer to 3)
- (2) Remove the drain pan. (Refer to 6)
- (3) Disconnect the liquid or gas from the holder.
- (4) Remove the 3 screws fixed to the piping cover, and remove the piping cover. (See photo 9)
- (5) Remove the 2 screws fixed to the control box cover, and remove the control box cover.

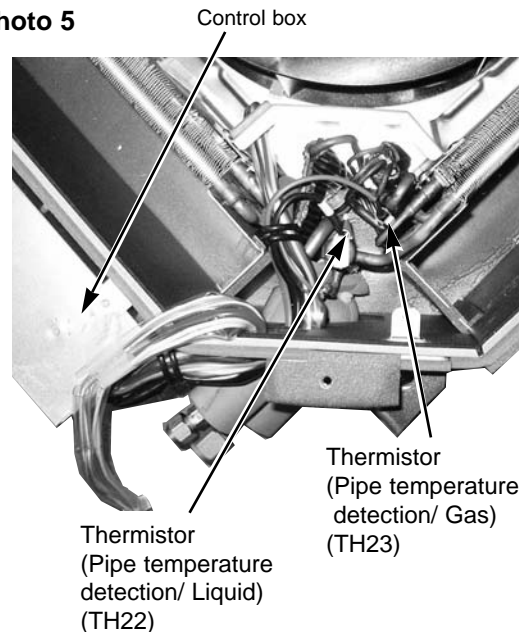
#### Pipe temperature detection/liquid (TH22)

- (6) Remove the connector (CN21) from the indoor controller board, and disconnect the pipe temperature detection/Liquid.

#### Pipe temperature detection/gas (TH23)

- (6) Remove the connector (CN29) from the indoor controller board, and disconnect the pipe temperature detection/Gas with its holder.

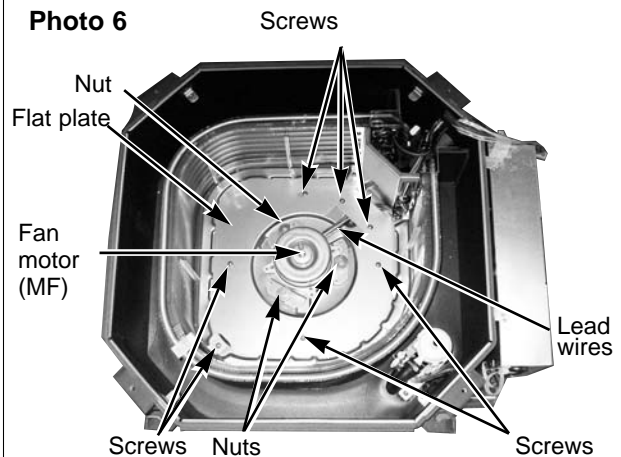
Photo 5



### 8. Remove the fan motor (MF)

- (1) Remove the panel. (Refer to 3)
- (2) Remove the drain pan. (Refer to 6)
- (3) Remove the nut and the washer from the turbo fan, and remove the turbo fan.
- (4) Remove the 2 screws fixed to the control box cover, and remove the control box cover.
- (5) Disconnect the connectors of the (fan 1) and the (fan 2) from the indoor controller board.
- (6) Remove the 3 screws fixed to the piping cover, and remove the piping cover. (See photo 9)
- (7) Remove the 6 screws fixed to the flat plate, and remove the flat plate.
- (8) Disconnect the lead wires to the direction of the fan motor, and remove the 3 nuts of the fan motor.

Photo 6





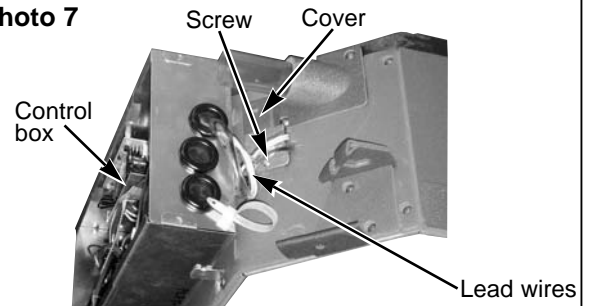
## OPERATING PROCEDURE

### 9. Removing the drain pump (DP) and drain sensor (DS)

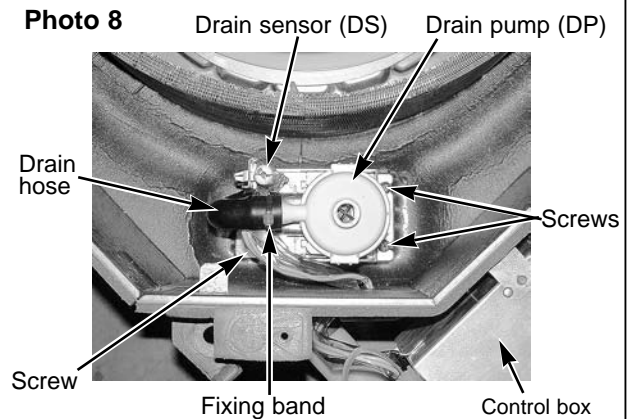
- (1) Remove the panel. (Refer to 3 )
- (2) Remove the drain pan. (Refer to 6)
- (3) Remove the 2 screws fixed to the control box cover, and remove the control box cover.
- (4) Remove the connectors of the (CNP) and the (CN31) from the indoor controller board.
- (5) Remove the 1 screw fixed to the cover, and remove the cover.
- (6) Disconnect the lead wires to the direction of the drain pump.(See photo 7)
- (7) Remove the 3 screws of the drain pump.
- (8) Cut the drain hose band, pull out the drain hose from the drain pump.
- (9) Pull out the drain pump.
- (10) Remove the drain sensor and the holder.

## PHOTOS&ILLUSTRATIONS

**Photo 7**



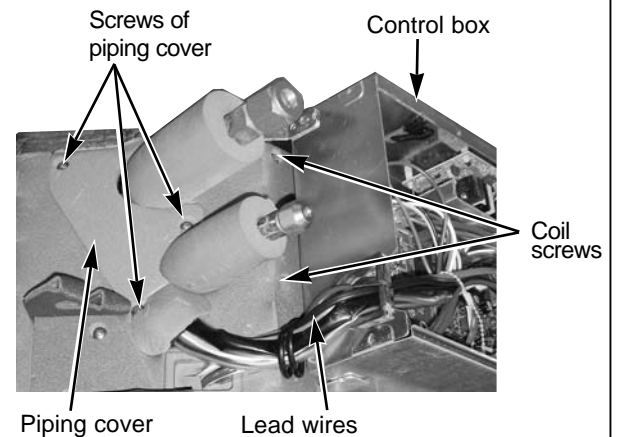
**Photo 8**



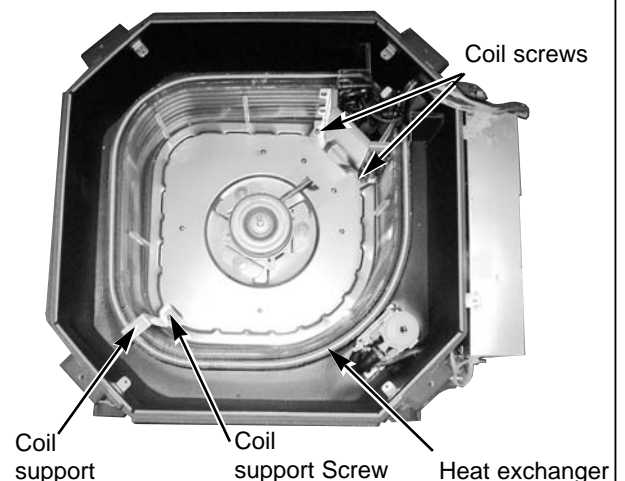
### 10. Removing the heat exchanger

- (1) Remove the panel. (Refer to 3 )
- (2) Remove the drain pan. (Refer to 6)
- (3) Remove the nut and the washer from the turbo fan, and remove the turbo fan.
- (4) Remove the 2 screws fixed to the control box cover, and remove the control box cover.
- (5) Disconnect the connectors of the (fan 1) and the (fan 2) from the indoor controller board.
- (6) Remove the 3 screws fixed to the piping cover, and remove the piping cover. (See photo 9)
- (7) Remove the pipe temperature thermistor/liquid and condenser/evaporator temperature thermistor. (Refer to 7)
- (8) Disconnect the lead wires to the direction of the fan motor.
- (9) Remove the 1 coil support screw, the 2 inside coil screws (See photo 10), and the 4 outside coil screws (See photo 9) from the heat exchanger, and remove the heat exchanger.

**Photo 9**



**Photo 10**



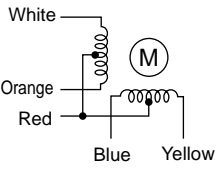
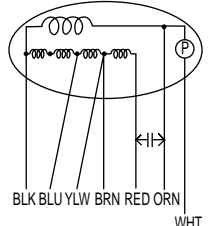
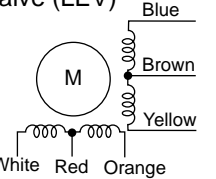
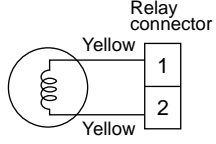
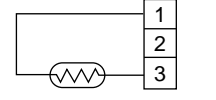
**9-1. How to check the parts**

**PLFY-P20VCM-E.TH**

**PLFY-P25VCM-E.TH**

**PLFY-P32VCM-E.TH**

**PLFY-P40VCM-E.TH**

Parts name	Check points																																				
Thermistor (TH21) (Room temperature detection) Thermistor (TH22) (Pipe temperature detection/ Liquid) Thermistor (TH23) (Pipe temperature detection/ Gas)	Disconnect the connector then measure the resistance using a tester. (Surrounding temperature 10°C~30°C) <table border="1" data-bbox="336 611 847 689"> <tr> <th>Normal</th> <th>Abnormal</th> </tr> <tr> <td>4.3kΩ~9.6kΩ</td> <td>Open or short</td> </tr> </table> Refer to the next page for the details.	Normal	Abnormal	4.3kΩ~9.6kΩ	Open or short																																
Normal	Abnormal																																				
4.3kΩ~9.6kΩ	Open or short																																				
Vane motor (MV) 	Measure the resistance between the terminals using a tester. (Surrounding temperature 20°C~30°C) <table border="1" data-bbox="336 835 1075 1025"> <tr> <th>Connector</th> <th>Normal</th> <th>Abnormal</th> </tr> <tr> <td>Red — Yellow</td> <td rowspan="4">300Ω</td> <td rowspan="4">Open or short</td> </tr> <tr> <td>Red — Blue</td> </tr> <tr> <td>Red — Orange</td> </tr> <tr> <td>Red — White</td> </tr> </table>	Connector	Normal	Abnormal	Red — Yellow	300Ω	Open or short	Red — Blue	Red — Orange	Red — White																											
Connector	Normal	Abnormal																																			
Red — Yellow	300Ω	Open or short																																			
Red — Blue																																					
Red — Orange																																					
Red — White																																					
Fan motor (MF)  <p>Ⓢ : Thermal fuse 145°C ± 2°C</p>	Measure the resistance between the terminals with a tester. (Coil wiring temperature 10°C ~ 30°C) <table border="1" data-bbox="336 1144 1422 1413"> <tr> <th rowspan="2"></th> <th colspan="4">Normal</th> <th rowspan="2">Abnormal</th> </tr> <tr> <th>PLFY-P20VCM-E</th> <th>PLFY-P25VCM-E</th> <th>PLFY-P32VCM-E</th> <th>PLFY-P40VCM-E</th> </tr> <tr> <td>WHT-BLK</td> <td>302Ω~327Ω</td> <td>390Ω~423Ω</td> <td>378Ω~409Ω</td> <td>312Ω~338Ω</td> <td rowspan="5">Opened or short-circuited</td> </tr> <tr> <td>BLK-BLU</td> <td>91Ω~100Ω</td> <td>82Ω~90Ω</td> <td>157Ω~170Ω</td> <td>137Ω~149Ω</td> </tr> <tr> <td>BLU-YLW</td> <td>38Ω~42Ω</td> <td>28Ω~32Ω</td> <td>44Ω~49Ω</td> <td>44Ω~49Ω</td> </tr> <tr> <td>YLW-RED</td> <td>265Ω~288Ω</td> <td>158Ω~172Ω</td> <td>306Ω~332Ω</td> <td>296Ω~321Ω</td> </tr> <tr> <td>RED-BRN</td> <td></td> <td></td> <td></td> <td></td> </tr> </table>		Normal				Abnormal	PLFY-P20VCM-E	PLFY-P25VCM-E	PLFY-P32VCM-E	PLFY-P40VCM-E	WHT-BLK	302Ω~327Ω	390Ω~423Ω	378Ω~409Ω	312Ω~338Ω	Opened or short-circuited	BLK-BLU	91Ω~100Ω	82Ω~90Ω	157Ω~170Ω	137Ω~149Ω	BLU-YLW	38Ω~42Ω	28Ω~32Ω	44Ω~49Ω	44Ω~49Ω	YLW-RED	265Ω~288Ω	158Ω~172Ω	306Ω~332Ω	296Ω~321Ω	RED-BRN				
	Normal				Abnormal																																
	PLFY-P20VCM-E	PLFY-P25VCM-E	PLFY-P32VCM-E	PLFY-P40VCM-E																																	
WHT-BLK	302Ω~327Ω	390Ω~423Ω	378Ω~409Ω	312Ω~338Ω	Opened or short-circuited																																
BLK-BLU	91Ω~100Ω	82Ω~90Ω	157Ω~170Ω	137Ω~149Ω																																	
BLU-YLW	38Ω~42Ω	28Ω~32Ω	44Ω~49Ω	44Ω~49Ω																																	
YLW-RED	265Ω~288Ω	158Ω~172Ω	306Ω~332Ω	296Ω~321Ω																																	
RED-BRN																																					
Linear expansion valve (LEV) 	Disconnect the connector then measure the resistance valve using a tester. <table border="1" data-bbox="336 1525 1197 1675"> <tr> <th colspan="4">Normal</th> <th>Abnormal</th> </tr> <tr> <td>White-Red</td> <td>Yellow-Brown</td> <td>Orange-Red</td> <td>Blue-Brown</td> <td rowspan="2">Open or short</td> </tr> <tr> <td colspan="4">150kΩ ±10%</td> </tr> </table> Refer to the next page for the details.	Normal				Abnormal	White-Red	Yellow-Brown	Orange-Red	Blue-Brown	Open or short	150kΩ ±10%																									
Normal				Abnormal																																	
White-Red	Yellow-Brown	Orange-Red	Blue-Brown	Open or short																																	
150kΩ ±10%																																					
Drain pump (DP) 	Measure the resistance between the terminals using a tester. (Surrounding temperature 20°C~30°C) <table border="1" data-bbox="336 1794 847 1872"> <tr> <th>Normal</th> <th>Abnormal</th> </tr> <tr> <td>290Ω</td> <td>Open or short</td> </tr> </table>	Normal	Abnormal	290Ω	Open or short																																
Normal	Abnormal																																				
290Ω	Open or short																																				
Drain sensor (DS) 	Measure the resistance after 3 minutes have passed since the power supply was intercepted. (Surrounding temperature 0°C~60°C) <table border="1" data-bbox="336 1984 847 2063"> <tr> <th>Normal</th> <th>Abnormal</th> </tr> <tr> <td>0.6kΩ~6.0kΩ</td> <td>Open or short</td> </tr> </table> Refer to the next page for the details.	Normal	Abnormal	0.6kΩ~6.0kΩ	Open or short																																
Normal	Abnormal																																				
0.6kΩ~6.0kΩ	Open or short																																				

<Thermistor characteristic graph>

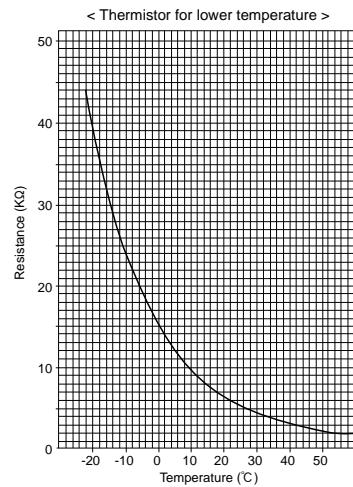
Thermistor for lower temperature

- Thermistor (TH21)  
(Room temperature detection)
- Thermistor (TH22)  
(Pipe temperature detection/ Liquid)
- Thermistor (TH23)  
(Pipe temperature detection/ Gas)

Thermistor  $R_0=15k\Omega \pm 3\%$   
Fixed number of  $B=3480K \pm 2\%$

$$R_t = 15 \exp \left\{ 3480 \left( \frac{1}{273+t} - \frac{1}{273} \right) \right\}$$

0°C	15kΩ
10°C	9.6kΩ
20°C	6.3kΩ
25°C	5.4kΩ
30°C	4.3kΩ
40°C	3.0kΩ

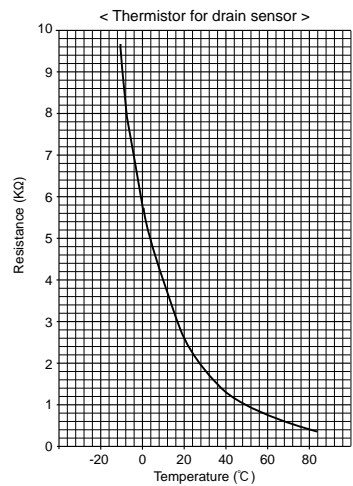


Thermistor for drain sensor

Thermistor  $R_0=6.0k\Omega \pm 5\%$   
Fixed number of  $B=3390K \pm 2\%$

$$R_t = 6 \exp \left\{ 3390 \left( \frac{1}{273+t} - \frac{1}{273} \right) \right\}$$

0°C	6.0kΩ
10°C	3.9kΩ
20°C	2.6kΩ
25°C	2.2kΩ
30°C	1.8kΩ
40°C	1.3kΩ
60°C	0.6kΩ

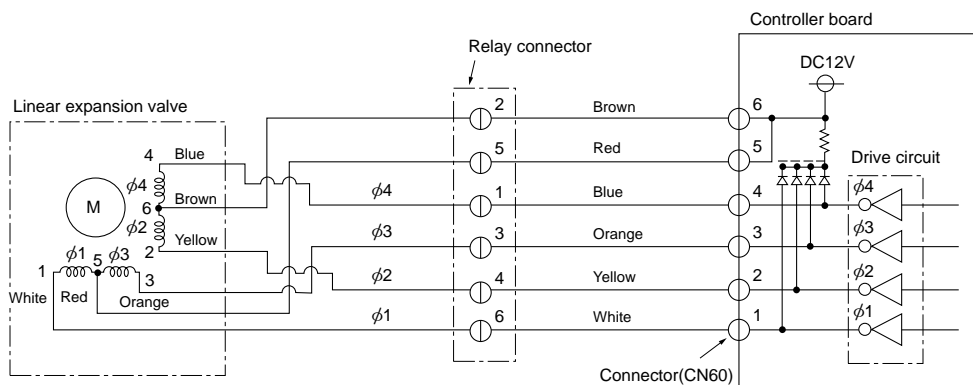


Linear expansion valve

① Operation summary of the linear expansion valve.

- Linear expansion valves open/close through the use of a stepping motor after receiving the pulse signal from the indoor controller board.
- Valve position can be changed in proportion to the number of pulse signals.

<Connection between the indoor controller board and the linear expansion valve>



Note : Since the number of the connector at the controller board side and the relay connector are different, follow the color of the lead wire.

### <Output pulse signal and the valve operation>

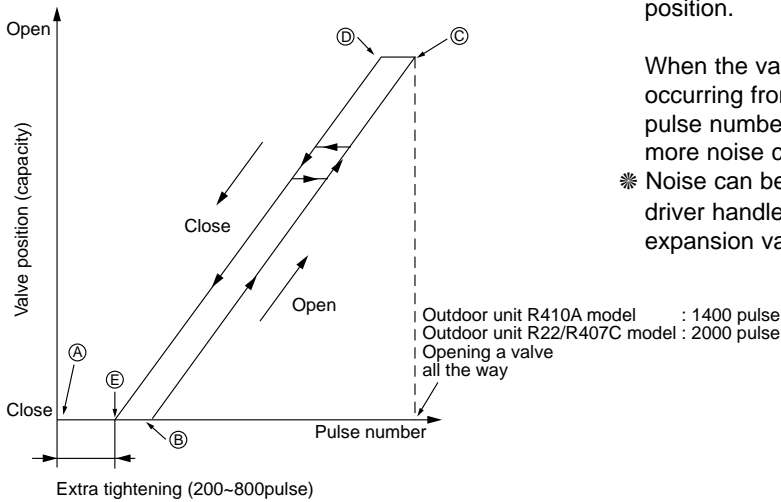
Output (Phase)	Output			
	1	2	3	4
φ1	ON	OFF	OFF	ON
φ2	ON	ON	OFF	OFF
φ3	OFF	ON	ON	OFF
φ4	OFF	OFF	ON	ON

Closing a valve : 1 → 2 → 3 → 4 → 1  
 Opening a valve : 4 → 3 → 2 → 1 → 4

The output pulse shifts in above order.

- ※ 1. When linear expansion valve operation stops, all output phase become OFF.
- 2. At phase interruption or when phase does not shift in order, motor does not rotate smoothly and motor will locks and vibrates.

#### ② Linear expansion valve operation

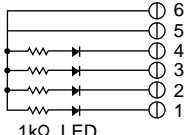
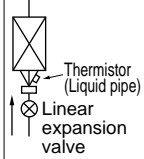


- ※ When the switch is turned on, 2200 pulse closing valve signal will be send till it goes to point A in order to define the valve position.





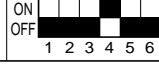



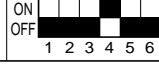



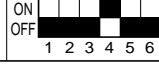

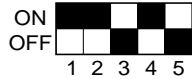
When the valve moves smoothly, there is no noise or vibration occurring from the linear expansion valves : however, when the pulse number moves from E to A or when the valve is locked, more noise can be heard than in a normal situation.

- ※ Noise can be detected by placing the ear against the screw driver handle while putting the screw driver tip to the linear expansion valve.

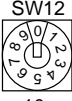
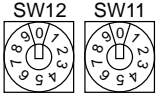




#### ③ Trouble shooting

Symptom	Check points	Countermeasures
Operation circuit failure of the micro processor.	Disconnect the connector on the controller board, then connect LED for checking.  1kΩ LED When power is turned on, pulse signals will output for 10 seconds. There must be some defects in the operation circuit if the LED does not light while the signals are output or keeps lighting even after the signals stop.	Exchange the indoor controller board at drive circuit failure.
Linear expansion valve mechanism is locked.	Motor will idle and make a ticking noise when the motor is operated while the linear expansion valve is locked. This ticking sound is the sign of the abnormality.	Exchange the linear expansion valve.
Short or breakage of the motor coil of the linear expansion valve.	Measure the resistance between each coil (white-red, yellow-brown, orange-red, blue-brown) using a tester. It is normal if the resistance is in the range of 150Ω ±10%.	Exchange the linear expansion valve.
Valve doesn't close completely.	To check the linear expansion valve, operate the indoor unit in fan mode and at the same time operate other indoor units in cooling mode, then check the pipe temperature <liquid pipe temperature> of the indoor unit by the outdoor multi controller board operation monitor. During fan operation, linear expansion valve is closed completely and if there is any leaking, detecting temperature of the thermistor will go lower. If the detected temperature is much lower than the temperature indicated in the remote controller, it means the valve is not closed all the way. It is not necessary to exchange the linear expansion valve, if the leakage is small and not affecting normal operation. 	If large amount of thermistor is leaked, exchange the linear expansion valve.
Wrong connection of the connector or contact failure.	Check the color of lead wire and missing terminal of the connector.	Disconnect the connector at the controller board, then check the continuity.

## 9-2. FUNCTION OF DIP SWITCH

Switch	Pole	Function	Operation by switch		Effective timing	Remarks											
			ON	OFF													
SW1 Mode Selection	1	Thermistor <Room temperature detection> position	Built-in remote controller	Indoor unit	Under suspension	<div style="border: 1px solid black; padding: 2px;">Indoor controller board</div> <p style="text-align: center;">&lt;At delivery&gt;</p>  <p>Note :</p> <ul style="list-style-type: none"> <li>*1 Fan operation at Heating mode.</li> <li>*2 Heater thermostat ON is operating.</li> <li>*3 SW 1-7=OFF, SW 1-8=ON → Setting air flow. SW 1-7=ON, SW 1-8=ON → Indoor fan stop.</li> </ul>											
	2	Filter clogging detection	Provided	Not provided													
	3	Filter cleaning	2,500hr	100hr													
	4	Fresh air intake	Effective	Not effective													
	5	Remote indication switching	Thermostat ON signal indication	Fan output indication													
	6	Humidifier control	Always operated while the heat in ON *1	Operated depends on the condition *2													
	7	Air flow set in case of Heat thermostat OFF	Low *3	Extra low *3													
	8	Heat thermostat OFF	Setting air flow *3	Depends on SW1-7													
	9	Auto restart function	Effective	Not effective													
	10	Power ON/OFF	Effective	Not effective													
SW2 Capacity code setting	1~6	<table border="1" style="width: 100%; text-align: center;"> <thead> <tr> <th>Capacity</th> <th>SW 2</th> <th>Capacity</th> <th>SW 2</th> </tr> </thead> <tbody> <tr> <td>P20</td> <td>  </td> <td>P32</td> <td>  </td> </tr> <tr> <td>P25</td> <td>  </td> <td>P40</td> <td>  </td> </tr> </tbody> </table>		Capacity	SW 2	Capacity	SW 2	P20		P32		P25		P40		Before power supply ON	<div style="border: 1px solid black; padding: 2px;">Indoor controller board</div> <p style="text-align: center;">Set while the unit is off.</p> <p style="text-align: center;">&lt;At delivery&gt;</p> <p style="text-align: center;">Set for each capacity.</p>
Capacity	SW 2	Capacity	SW 2														
P20		P32															
P25		P40															
SW3 Function setting	1	Heat pump / Cooling only	Cooling only	Heat pump	Under suspension	<div style="border: 1px solid black; padding: 2px;">Indoor controller board</div> <p style="text-align: center;">Set while the unit is off.</p> <p style="text-align: center;">&lt;At delivery&gt;</p>  <p>Note :</p> <ul style="list-style-type: none"> <li>*4 At cooling mode, each angle can be used only 1 hour.</li> <li>*5 The numerical valve in the parentheses shows the case which the R22 outdoor unit is connected.</li> </ul>											
	2	Louver	Available	Not available													
	3	Vane	Available	Not available													
	4	Vane swing function	Available	Not available													
	5	Vane horizontal angle	Second setting	First setting													
	6	Vane cooling limit angle setting *4	Horizontal angle	Down B, C													
	7	Indoor linear expansion valve opening	Effective	Not effective													
	8	Heat 4degrees up	Not effective	Effective													
	9	Superheat setting temperature *5	9(5)degrees	6(2)degrees													
	10	Sub cool setting temperature	15degrees	10degrees													
SW4 Unit Selection	1~5	<p>In case replacing the indoor controller board, make sure to set the switch to the factory-preset status, which is shown below.</p> 		Before power supply ON	<div style="border: 1px solid black; padding: 2px;">Indoor controller board</div>												



	Pole	Operation by switch	Effective timing	Remarks
SW11 1st digit address setting SW12 2nd digit address setting	Rotary switch	<div style="display: flex; align-items: center; justify-content: center;"> <div style="text-align: center; margin-right: 20px;">  <p>SW12 10</p> </div> <div style="text-align: center; margin-right: 20px;">  <p>SW11 1</p> </div> <div style="text-align: center;"> <p>Address setting should be done when M-NET Remote controller is being used.</p> </div> </div>	Before power supply ON	<div style="border: 1px solid black; padding: 2px; width: fit-content; margin-bottom: 5px;">Indoor controller board</div> <p>Address can be set while the unit is stopped.</p> <p style="text-align: center;">&lt;At delivery&gt;</p> <div style="display: flex; align-items: center; justify-content: center;"> <div style="text-align: center; margin-right: 20px;">  <p>SW12</p> </div> <div style="text-align: center;">  <p>SW11</p> </div> </div>
SW14 Connection No. setting	Rotary switch	<div style="text-align: center; margin-bottom: 10px;">  <p>SW14</p> </div> <p>This is the switch to be used when the indoor unit is operated with R2 series outdoor unit as a set.</p>		<div style="border: 1px solid black; padding: 2px; width: fit-content; margin-bottom: 5px;">Indoor controller board</div> <p style="text-align: center;">&lt;At delivery&gt;</p> <div style="text-align: center;">  <p>SW14</p> </div>

### 9-3. TEST POINT DIAGRAM

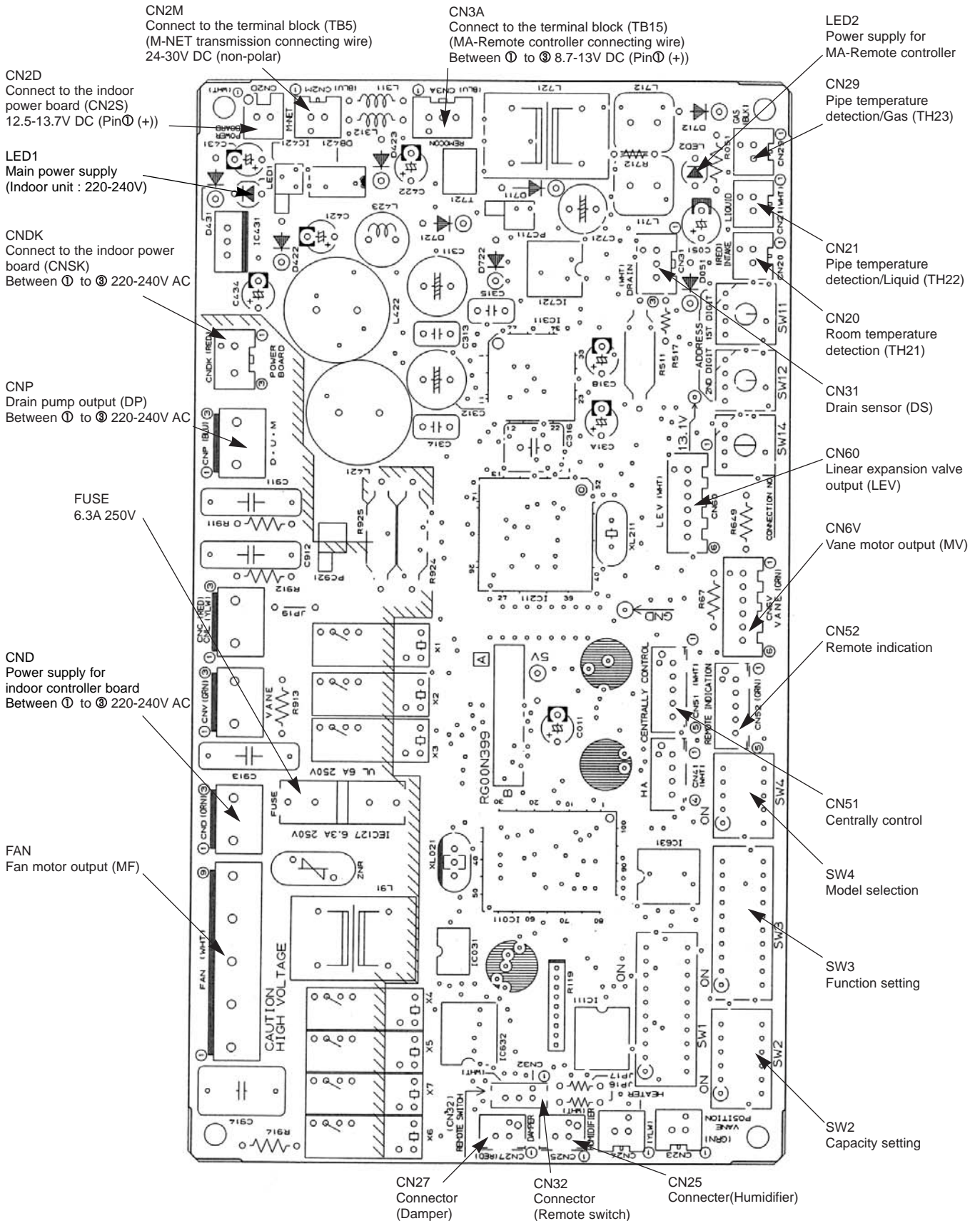
#### 9-3-1. Indoor controller board

PLFY-P20VCM-E.TH

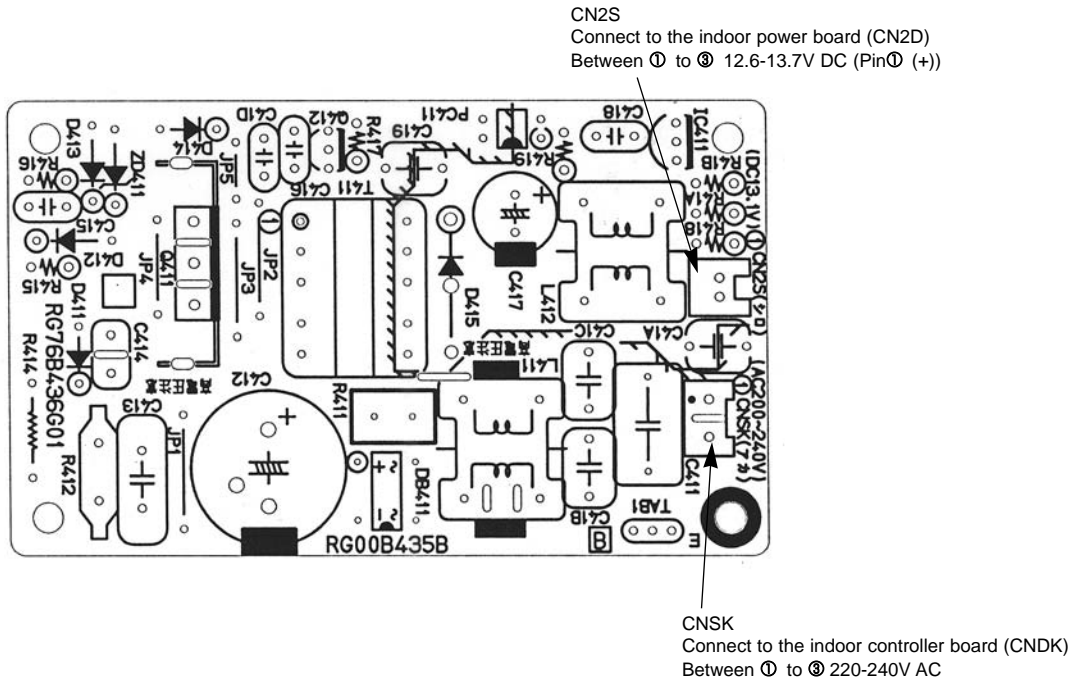
PLFY-P25VCM-E.TH

PLFY-P32VCM-E.TH

PLFY-P40VCM-E.TH

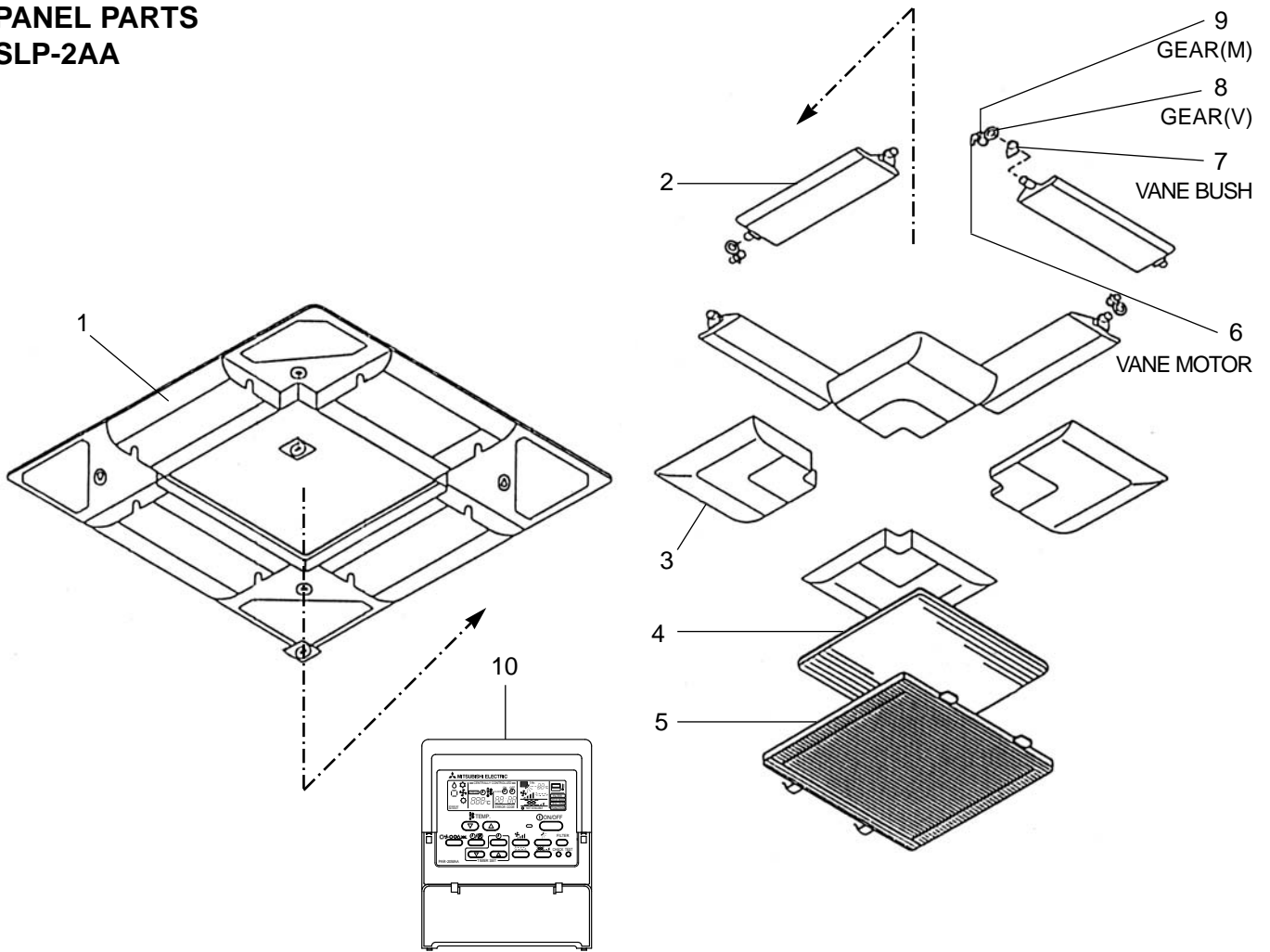


**9-3-2. Indoor power board**  
**PLFY-P20VCM-E.TH**  
**PLFY-P25VCM-E.TH**  
**PLFY-P32VCM-E.TH**  
**PLFY-P40VCM-E.TH**





PANEL PARTS  
SLP-2AA



No.	Parts No.	Parts name	Specification	Q'ty/set	Remarks (Drawing No.)	Wiring Diagram Symbol	Recom- mended Q'ty	Price	
				SLP-2AA				Unit	Amount
1	E07 158 003	AIR OUTLET GRILLE		1					
2	E07 103 037	AUTO VANE		4		H2			
3	E07 103 975	CORNER PANEL		4					
4	E07 103 100	AIR FILTER		1					
5	E07 103 010	INTAKE GRILLE		1					
6	E07 103 303	VANE MOTOR		4		MV			
7	E07 103 044	VANE BUSH		8					
8	E07 103 031	GEAR (V)		4					
9	E07 103 032	GEAR (M)		4					
10	-	REMOTE CONTROLLER	PAR-20MAA	1					

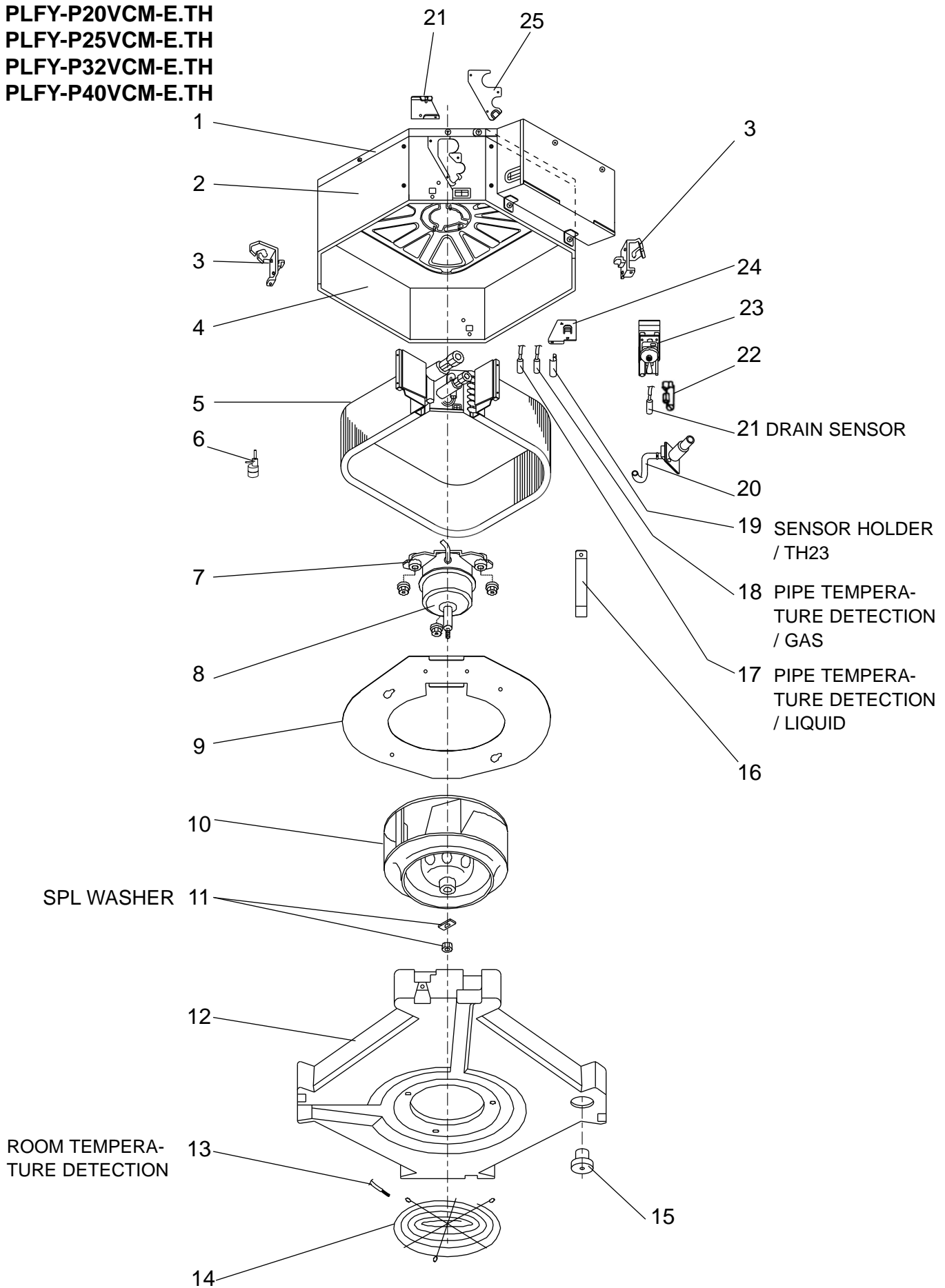
**FUNCTIONAL PARTS**

PLFY-P20VCM-E.TH

PLFY-P25VCM-E.TH

PLFY-P32VCM-E.TH

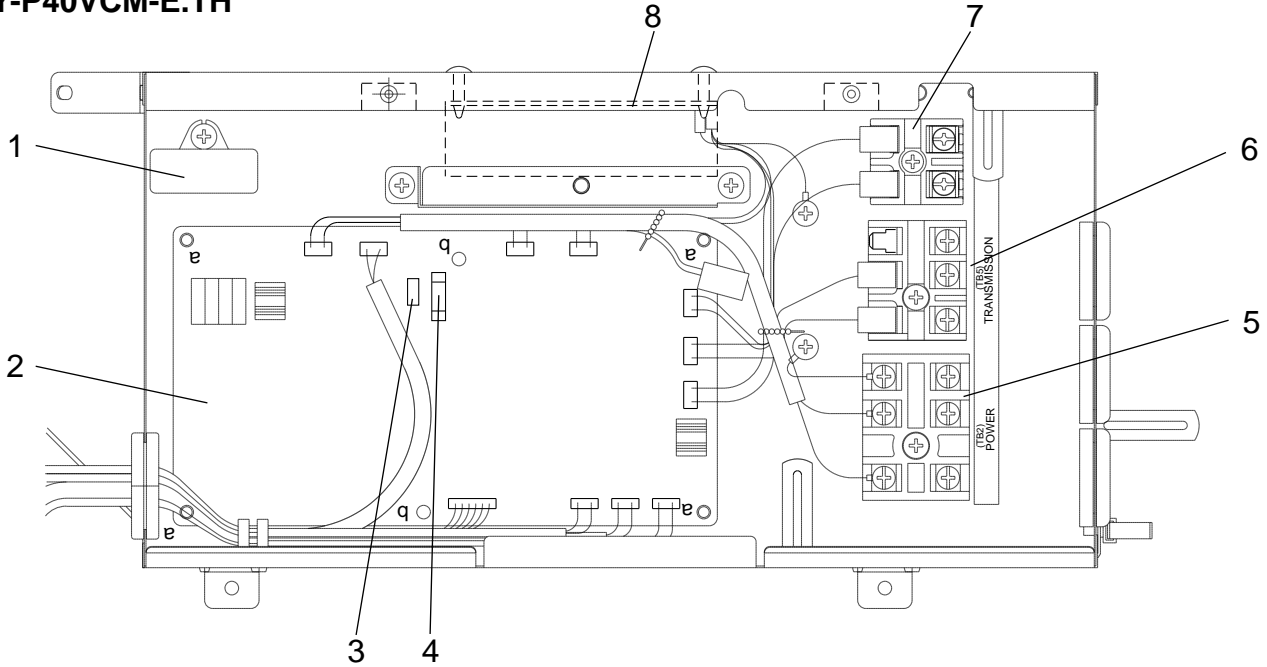
PLFY-P40VCM-E.TH





No.	Parts No.	Parts name	Specification	Q'ty/set				Remarks (Drawing No.)	Wiring Diagram Symbol	Recom- mended Q'ty	Price	
				PLFY							Unit	Amount
				P20	P25	P32	P40					
				VCM-E.TH								
1	E07 104 290	BASE		1	1	1	1					
2	E07 104 124	DRUM-1		1	1	1	1					
3	E07 104 808	LEG-1		2	2	2	2					
4	E07 105 124	DRUM-2		1	1	1	1					
5	E07 154 620	INDOOR HEAT EXCHANGER		1	1							
	E07 155 620	INDOOR HEAT EXCHANGER				1	1					
6	E07 154 640	LINEAR EXPANSION VALVE		1	1	1	1		LEV			
7	E07 104 105	MOTOR MOUNT		3	3	3	3	3PCS/SET				
8	E07 154 300	INDOOR FAN MOTOR	PK6V11-LE	1					MF			
	E07 155 300	INDOOR FAN MOTOR	PK6V15-LC		1				MF			
	E07 156 300	INDOOR FAN MOTOR	PK6V20-LJ			1			MF			
	E07 157 300	INDOOR FAN MOTOR	PK6V20-LK				1		MF			
9	E07 104 816	FLAT PLATE		1	1	1	1					
10	E07 104 502	TURBO FAN		1	1	1	1					
11	E07 104 097	SPL WASHER		1	1	1	1					
12	E07 104 700	DRAIN PAN		1	1	1	1					
13	E07 154 308	ROOM TEMPERATURE DETECTION		1	1	1	1		TH21			
14	E07 104 520	FAN GUARD		1	1	1	1					
15	E07 104 524	DRAIN PLUG		1	1	1	1					
16	E07 104 648	COIL SUPPORT		1	1	1	1					
17	E07 154 307	PIPE TEMPERATURE DETECTION/LIQUID		1	1	1	1		TH22			
18	E07 154 309	PIPE TEMPERATURE DETECTION/GAS		1	1	1	1		TH23			
19	E07 154 241	SENSOR HOLDER/TH23	(TH23)	1	1	1	1					
20	E07 104 702	DRAIN HOSE		1	1	1	1					
21	E07 104 266	DRAIN SENSOR		1	1	1	1		DS			
22	E07 104 241	SENSOR HOLDER	(DS)	1	1	1	1					
23	E07 104 355	DRAIN PUMP		1	1	1	1		DP			
24	E07 104 809	LEG-2		2	2	2	2					
25	E07 154 006	COVER (DRUM)		1	1	1	1					

**ELECTRICAL PARTS**  
**PLFY-P20VCM-E.TH**  
**PLFY-P25VCM-E.TH**  
**PLFY-P32VCM-E.TH**  
**PLFY-P40VCM-E.TH**



No.	Parts No.	Parts name	Specification	Q'ty/set				Remarks (Drawing No.)	Wiring Diagram Symbol	Recom- mended Q'ty	Price	
				PLFY							Unit	Amount
				P20	P25	P32	P40					
				VCM-E.TH								
1	E07 154 350	CAPACITOR	1.0 $\mu$ F / 440VAC	1				C1				
	E02 095 350	CAPACITOR	1.5 $\mu$ F / 440VAC		1	1	1	C1				
2	E07 154 447	INDOOR CONTROLLER BOARD		1				I.B				
	E07 155 447	INDOOR CONTROLLER BOARD			1			I.B				
	E07 156 447	INDOOR CONTROLLER BOARD				1		I.B				
	E07 157 447	INDOOR CONTROLLER BOARD					1	I.B				
3	E02 661 385	VARISTOR		1	1	1	1	ZNR				
4	E07 006 382	FUSE	250V 6.3A	1	1	1	1	FUSE				
5	E07 155 375	TERMINAL BLOCK		1	1	1	1	3P TB2				
6	E07 154 375	TERMINAL BLOCK		1	1	1	1	3P TB5				
7	E07 156 375	TERMINAL BLOCK		1	1	1	1	2P TB15				
8	E07 154 440	INDOOR POWER BOARD		1	1	1	1	P.B				


**MITSUBISHI ELECTRIC CORPORATION**  
 HEAD OFFICE : MITSUBISHI DENKI BLDG., 2-2-3, MARUNOUCHI, CHIYODA-KU TOKYO 100-8310, JAPAN